

6543

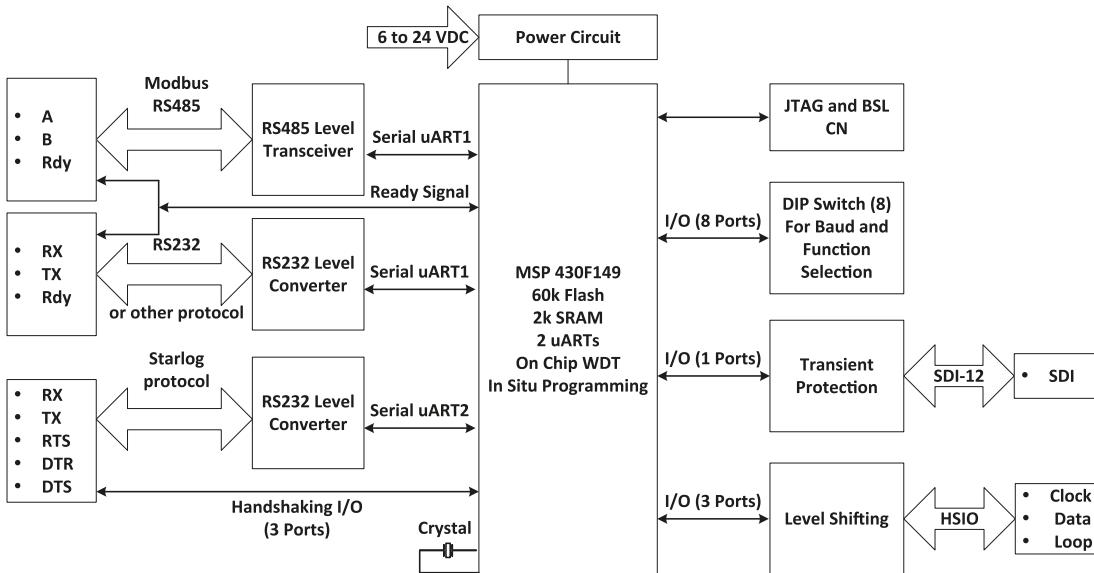
BABELSTAR PROTOCOL CONVERTER



MODEL A



The 6543 Babelstar Protocol Converter converts Modbus to SDI-12 requests OR converts HSIO data into Modbus data. SDI-12 is a standard protocol, defined by the USGS, which defines how a sensor must communicate with a datalogger via an SDI 12 bus. HSIO is a Unidata proprietary protocol for connection of Unidata dataloggers to displays and instruments.



MODBUS TO SDI-12 CONVERSION

The 6543 protocol converter acts as a Modbus slave on a Modbus RTU bus. On receipt of certain Modbus commands the protocol converter module initiates SDI-12 commands – awaits the response and returns the results as Modbus values. The data returned is selectable as either a binary decimal value with a sign delimiter or as an IEEE 32bit floating point value.

MODBUS TO HSIO CONVERSION

The 6543 protocol converter can also act as a HSIO slave on the HSIO connection from a Unidata data logger or Starflow. On receipt of HSIO data the protocol converter module stores the HSIO data into memory. On receipt of certain Modbus commands, the protocol converter returns the requested memory values as Modbus values. The data returned is in Modbus RTU format and is returned as an exact representation of the HSIO value/s received.

The Protocol Converter requires a 5 to 24 volt power source capable of supplying a 15mA load.

SPECIFICATIONS

PHYSICAL SPECIFICATIONS	
MATERIAL:	Polycarbonate Enclosure
SIZE:	140mm x 80mm x 65mm (LxWxH)
WEIGHT:	295g
OPERATING TEMPERATURE:	0°C to 50°C. Not affected by humidity
EXTERNAL POWER:	5-24VDC @ 14mA active
I/O:	2 x RS232 A and B 2 x RS485 A and B 1 x SDI-12 1 x HSIO